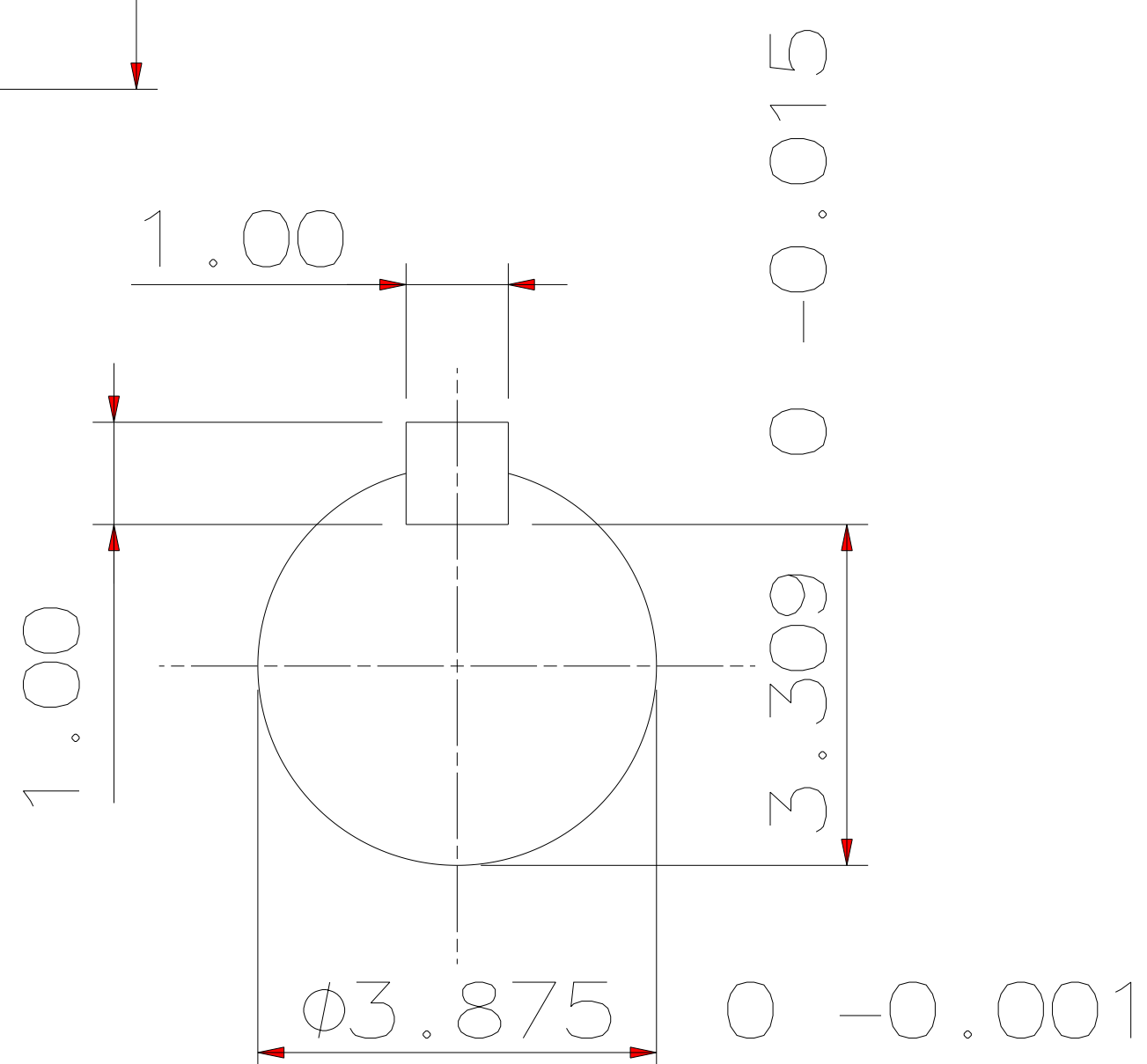
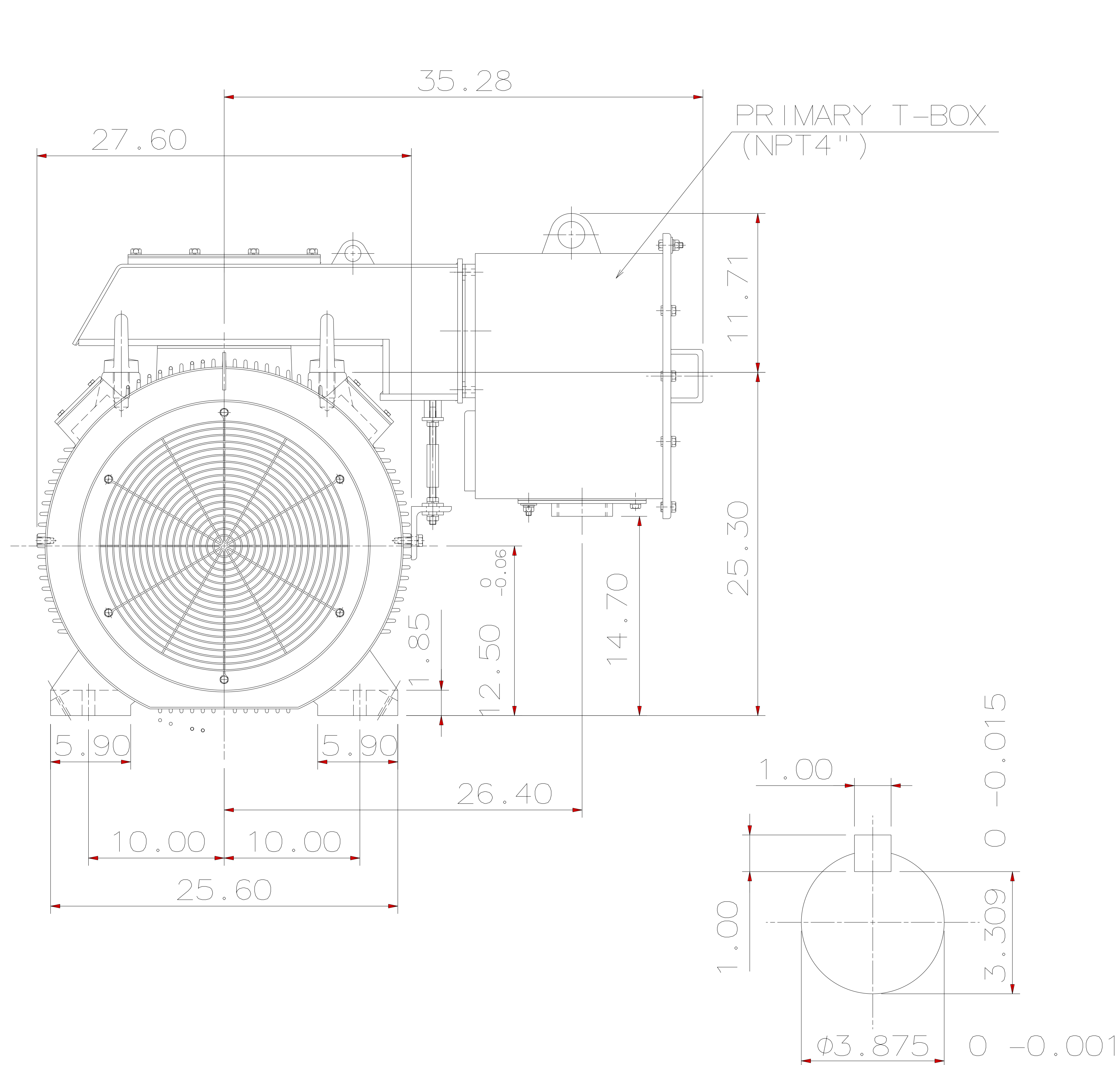
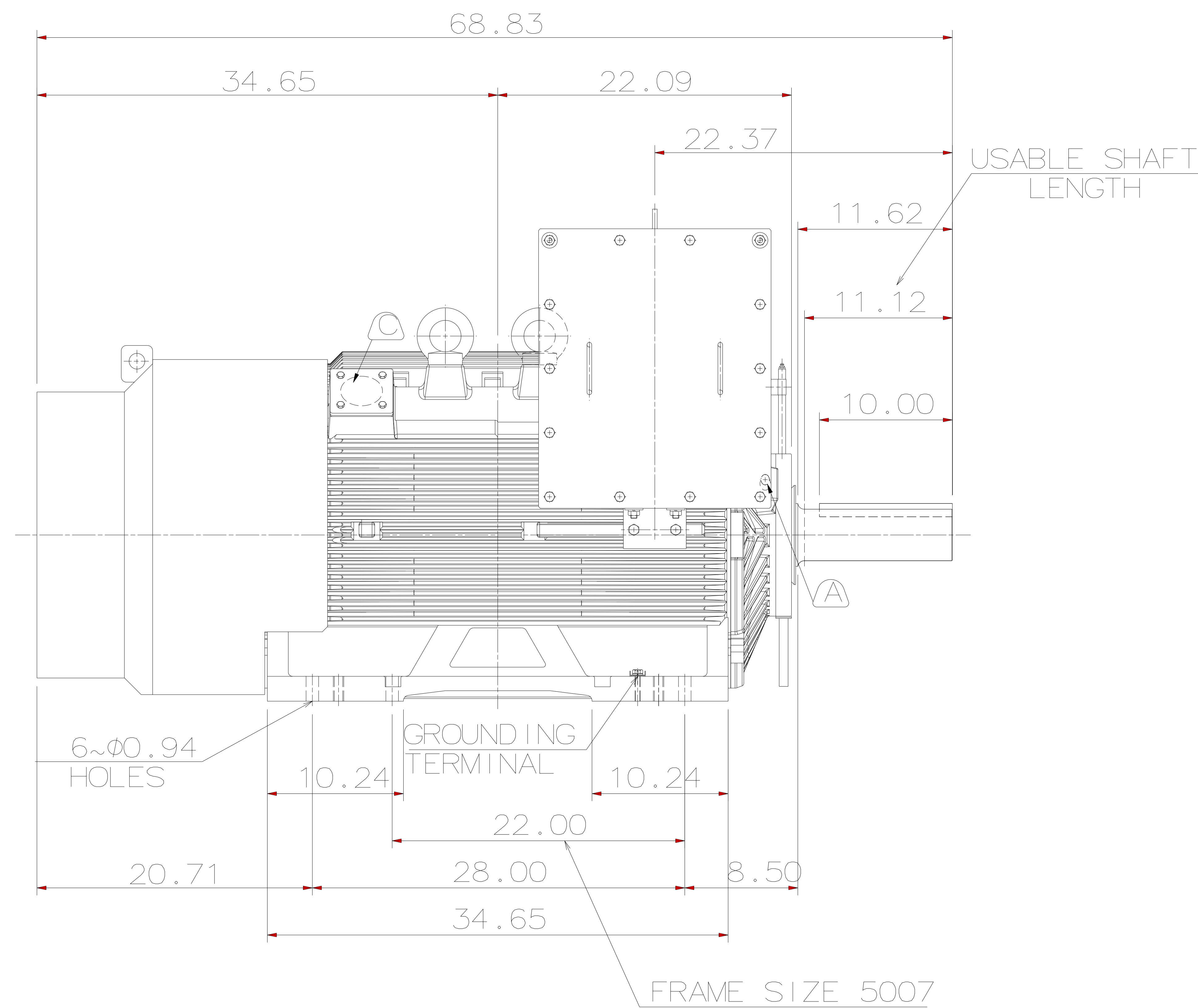


TYPE	OUTPUT		POLE	TIME RATING	VOLTAGE V	Hz	SYN. SPEED R.P.M
	HP.	kW.					
AFHH	250	187	8	CONT.	2300/4000	60	900

TOTALLY ENCLOSED FAN-COOLED, TYPE. SQUIRREL-CAGE ROTOR



SHAFT END
(ENLARGED VIEW)



NOTE:

1. DIMENSIONS IN inch
2. FRAME NO. 5009B
3. F CLASS INSULATION
4. FOR DIRECT FLEXIBLE COUPLING
5. ENCLOSURE: 1P55
6. BEARING SIZE: DRIVE-END NU324
OPP. DRIVE-END 6320C3
7. MOTOR APPROX. WEIGHT: 4300 lb

ⓑ FOR BEARING RTD, END BRACKETS SHALL BE PRE-DRILLED AND PLUGGED.

Ⓒ FOR AUXILIARY, FRAME SHALL BE PRE-DRILLED AND COVERD WITH STEEL PLATE.

DATE	APRIL 14, 2020
CATALOG NO.:	EPF2508R

OUTLINE DIMENSIONS
3-PHASE INDUCTION MOTOR

DWN.	L. JHENG	APR. 22. 2019
CHKD.	H. WANG	APR. 23. 2019
APPD.	C. WANG	APR. 23. 2019

TECO Westinghouse

DWG NO. 5A040C164
REV: 01